

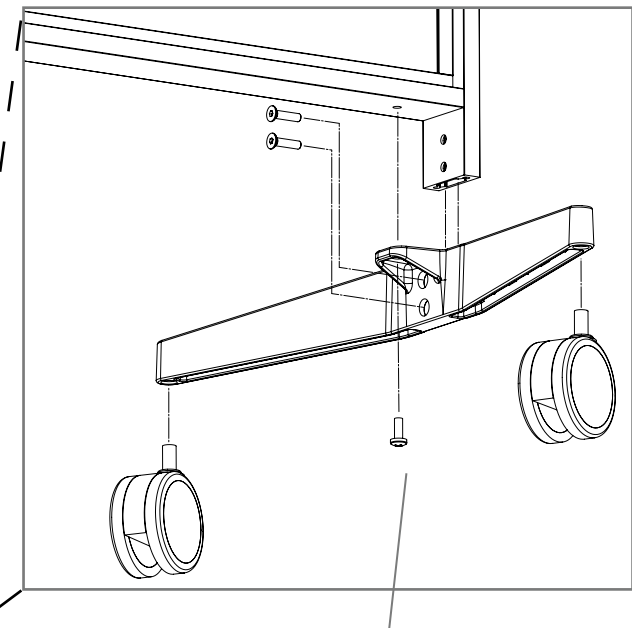


elements Mobiles-V1 Assembly Instructions

elements Mobiles-V1 Assembly Instructions



Items included (per board)	
1 set each	2 Foot Brackets 2 Locking Rear Casters 2 Non-Locking Front Casters
4 each	M6 x 18mm Flat Head Hex Drive Screws
2 each	M6 x 14mm Pan Head Phillips Drive Screws
1 each	4mm Hex Wrench



M6 x 14mm Pan Head Hex Phillips Drive Screws

- A Locking Casters
- B Non-Locking Casters